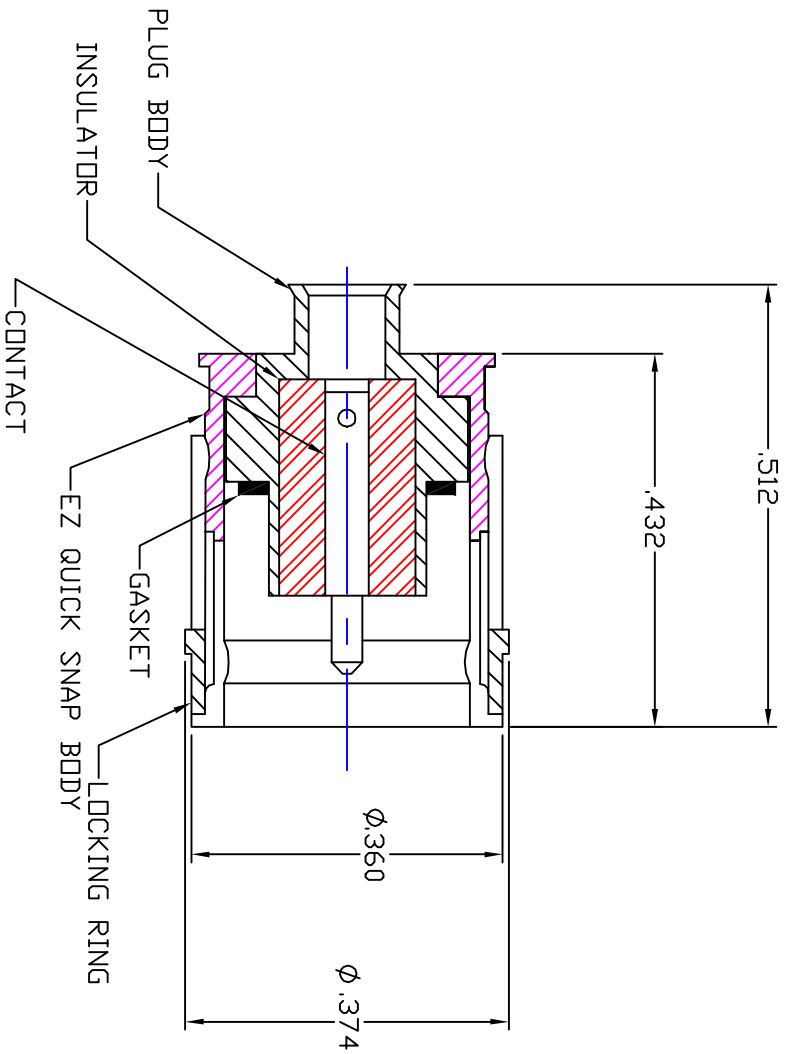
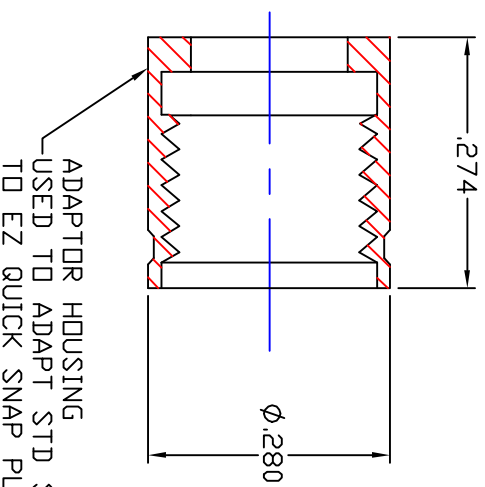
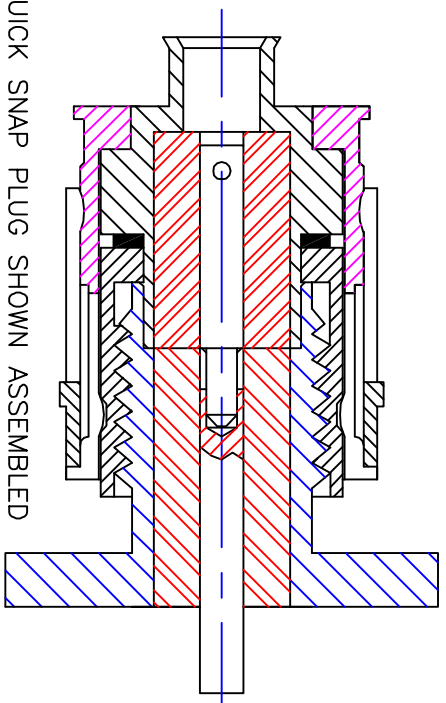


COMPANY CONFIDENTIAL
 PATENT PENDING



EZ QUICK SNAP PLUG SHOWN ASSEMBLED TO A STD. SMA JACK UTILIZING ADAPTOR HOUSING



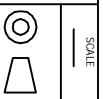
UNLESS OTHERWISE SPECIFIED:

DIMENSIONS ARE IN INCHES:
 TOLERANCES:

DECIMALS: $\pm .010$
 FRACTIONS: $\pm 1/64$
 2-PLACE: $\pm .005$
 3-PLACE: $\pm .005$
 ANGLES: $\pm 3^\circ$

MATERIAL:

FINISH:



APPD			
BY			
DATE			
DESCRIPTION			
REV.			

DRAWN	DATE	CHECKED	DATE
P.J.P.	2-29-00	J.A.B.	2-29-00
APPROVED	DATE	SHEET	OF
T.A.R.	2-29-00		

TITLE		REV.
EZ FORM CABLE CORPORATION NEW HAVEN, CT. 06513		
EZ QUICK SNAP PLUG FOR .086 DIA. SEMI RIGID CABLE		
A	9W826	CD-709522-101

THIS DRAWING THE DESIGNS AND IDEAS EMBEDDED IN THE DEVICE TO WHICH IT RELATES AND THE METHOD OF PRODUCING THE DEVICE SHALL NOT BE EMPLOYED COPIED OR DISCLOSED TO ANYONE IN ANY MANNER WITHOUT THE CONCENT, OF AN EZ FORM COMPANY OFFICAL