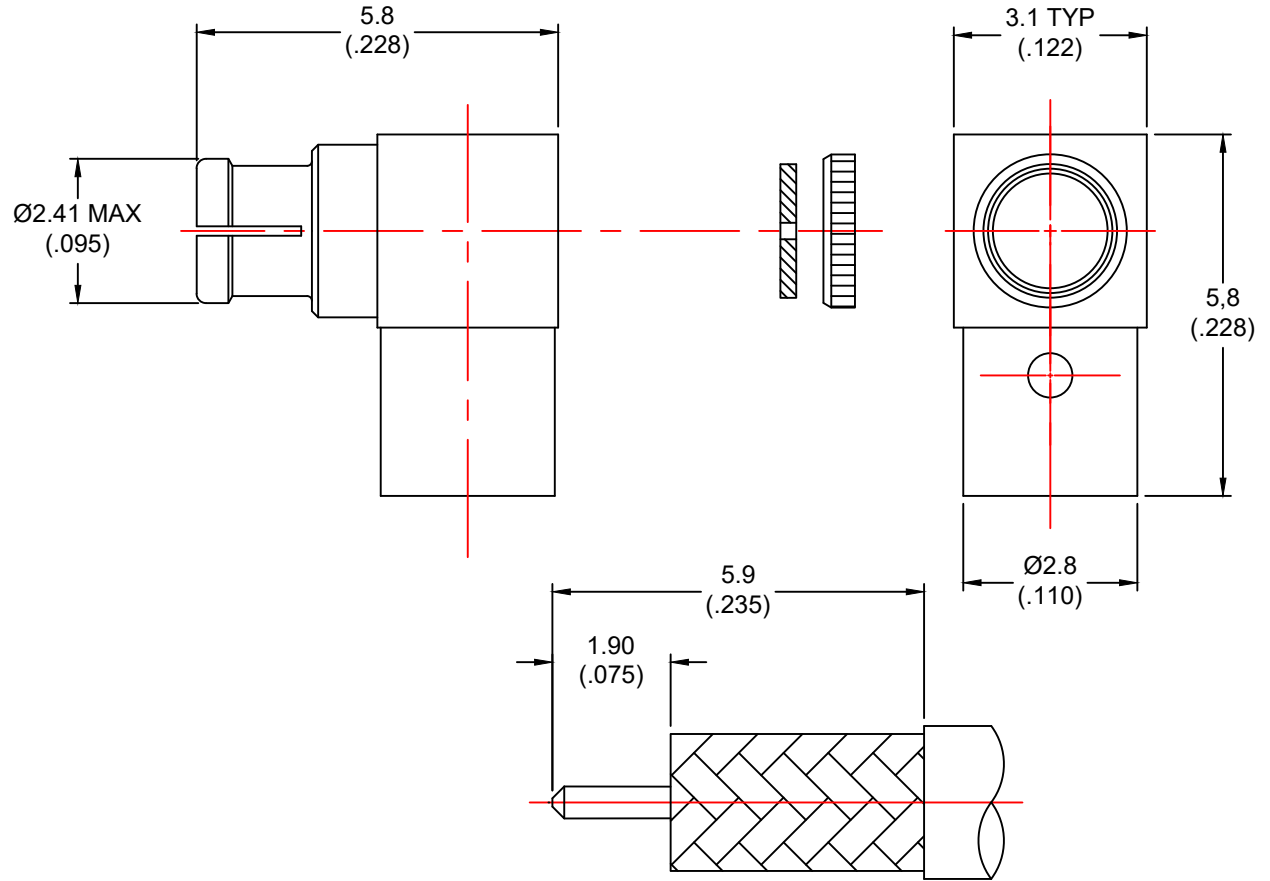


NOTES:
INTERFACE REQUIREMENTS
CONFORM TO MIL-STD-348, SMPM SERIES

ELECTRICAL SPECIFICATIONS:
FREQUENCY RANGE (GHz): DC TO 18 GHz
NOMINAL IMPEDANCE: 50 OHMS

MATERIALS:
BODY: BERYLLIUM COPPER PER ASTM-B-196
INSULATOR: TEFLON PER ASTM-D-1710
CONTACT: BERYLLIUM COPPER PER ASTM-B-196
CAP: BRASS PER ASTM-B-16.

FINISHES:
BODY: GOLD PLATE PER MIL-G-45204 (NO NICKLE FOUNDATION)
CONTACT: GOLD PLATE PER MIL-G-45204 (NO NICKLE FOUNDATION)
CAP: GOLD PLATE PER MIL-G-45204 (NO NICKLE FOUNDATION)

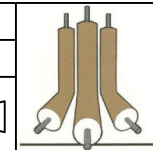


**RECOMMENDED
CABLE STRIPPING DIMS**

PROPRIETARY NOTICE
THIS DRAWING AND DESIGN AND IDEAS EMBEDDED IN THE DEVICE TO WHICH IT RELATES AND THE METHOD OF PRODUCING THE DEVICE SHALL NOT BE REPRODUCED OR TRANSMITTED IN ANY MANNER WITHOUT THE WRITTEN CONSENT OF AN EZ FORM COMPANY OFFICIAL

APPD.	TD	
DATE	10/25/25	
BY	TD	
DATE	10/25/25	
DESCRIPTION	INITIAL RELEASE	
REV.	A	

UNLESS OTHERWISE SPECIFIED:			
DIMENSIONS ARE IN MM (INCHES)		SCALE	
TOLERANCES: NONE		8:1	
MATERIAL: SEE NOTES			
FINISH: SEE NOTES			
DRAWN	DATE	CHECKED	DATE
T.D	10/25/25	M.D.	10/25/25
APPROVED	DATE	SHEET	OF
N.W	10/25/25	1	1



EZ Form Cable Corporation LLC
Engineered Products Group
285 Welton Street
Hamden, CT 06517
www.ez-form.com

TITLE			
SMPM RIGHT ANGLE JACK NON-MAGNETIC FOR RG-405 CABLE			
CODE IDENT.			REV.
A	9W826	701500-186	A