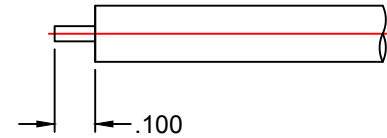
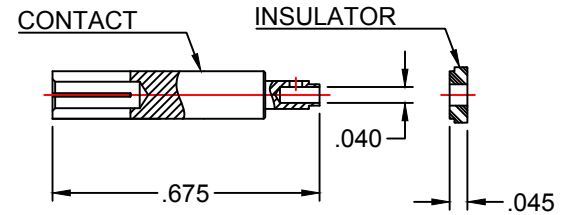
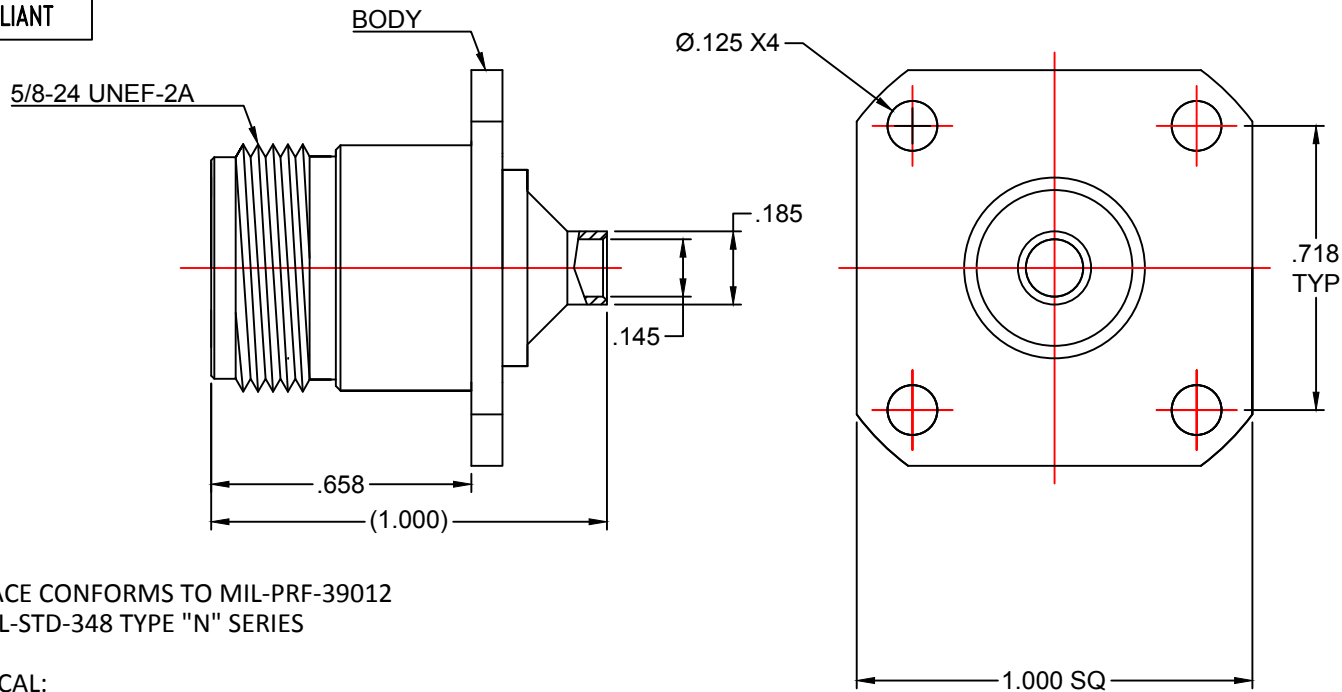


**RoHS  
COMPLIANT**



RECOMMENDED CABLE STRIPPING DIMENSIONS

**NOTES:**

INTERFACE CONFORMS TO MIL-PRF-39012 AND MIL-STD-348 TYPE "N" SERIES

**ELECTRICAL:**

NOMINAL IMPEDANCE: 50Ω  
FREQUENCY RANGE: DC TO 11 GHz

**MATERIALS:**

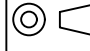
INSULATORS: TEFLON PER ASTM-D-1710  
CONTACT: PHOSPHOR BRONZE PER ASTM-B-139  
BODIES: 360 ALLOY BRASS 1/2 HARD PER ASTM-B-16

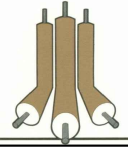
**FINISHES:**

CONTACT & SOLDER BODY: GOLD PLATE PER MIL-DTL-45204  
FRONT BODY: NICKEL PLATE PER QQ-N-290

**PROPRIETARY NOTICE**  
THIS DRAWING AND DESIGNS AND IDEAS EMBEDDED IN THE DEVICE TO WHICH IT RELATES AND THE METHOD OF MAKING THE DEVICE SHALL NOT BE REPRODUCED OR COPIED OR TRANSMITTED IN ANY MANNER WITHOUT THE WRITTEN CONSENT OF AN EZ FORM COMPANY OFFICIAL

|             |                 |            |
|-------------|-----------------|------------|
| APPD.       | J.A.B           | T.D.       |
| DATE        | 5/9/03          | 7/12/18    |
| BY          | J.A.B           | T.D.       |
| DATE        | 5/9/03          | 7/12/18    |
| DESCRIPTION | INITIAL RELEASE | ECN # 0049 |
| REV.        | -               | A          |

|                                    |           |                                                                                       |        |
|------------------------------------|-----------|---------------------------------------------------------------------------------------|--------|
| <b>UNLESS OTHERWISE SPECIFIED:</b> |           |                                                                                       |        |
| DIMENSIONS ARE IN INCHES:          |           | SCALE                                                                                 |        |
| TOLERANCES: NONE                   |           | 2:1                                                                                   |        |
| MATERIAL                           | SEE NOTES |  |        |
| FINISH                             | SEE NOTES |                                                                                       |        |
| DRAWN                              | DATE      | CHECKED                                                                               | DATE   |
| P.J.P                              | 5/9/03    | T.A.R.                                                                                | 5/9/03 |
| APPROVED                           | DATE      | SHEET                                                                                 | 1 OF 1 |
| J.A.B.                             | 5/9/03    |                                                                                       |        |

|                                                                                       |             |                                                                                             |   |
|---------------------------------------------------------------------------------------|-------------|---------------------------------------------------------------------------------------------|---|
|  |             | <b>EZ Form Cable Corporation</b><br>285 Welton Street<br>Hamden, CT 06517<br>WWW.ezform.com |   |
| TYPE "N" PANEL MOUNT JACK<br>FOR .141 S/R CABLE<br>DIRECT SOLDER                      |             |                                                                                             |   |
| TITLE                                                                                 | CODE IDENT. | REV.                                                                                        |   |
| A                                                                                     | 9W826       | 701290N                                                                                     | A |