

NOTES:

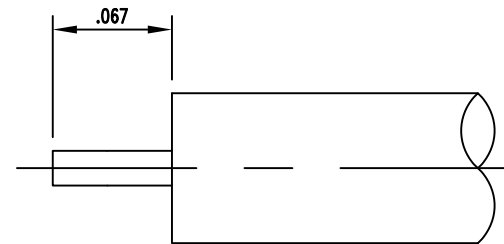
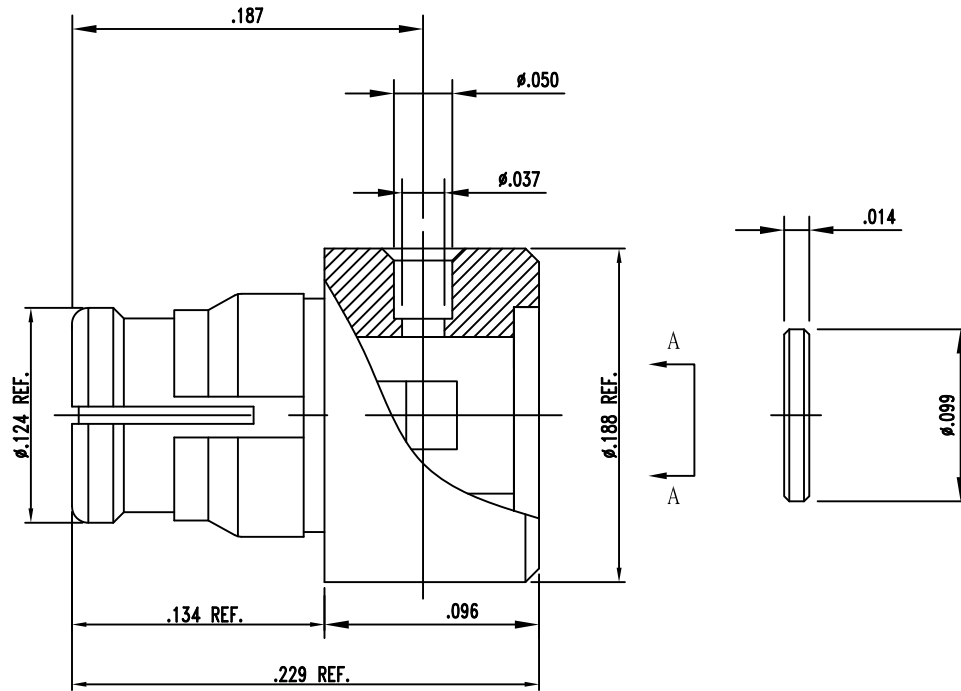
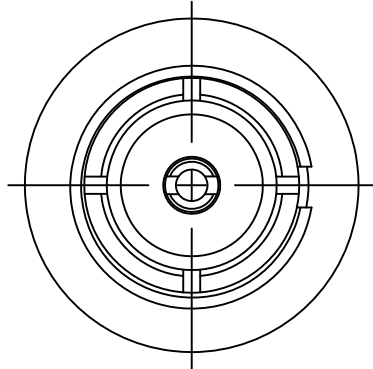
MATERIALS:

- 1. BODY CONTACT, RING BERYLLIUM COPPER PER ASTM-B-196
- 2. INSULATOR TEFLON PER ASTM-D-1710

FINISHES:

- 1. ALL METAL PARTS GOLD PLATE PER MIL-G-45204

RoHS



RECOMMENDED
CABLE STRIPPING DIMS

PROPRIETARY NOTICE

THIS DRAWING AND DESIGNS AND IDEAS EMBEDDED IN THE DEVICE TO WHICH IT RELATES AND THE INFORMATION CONTAINED HEREON SHALL NOT BE REPRODUCED, COPIED, OR OTHERWISE TRANSMITTED IN ANY MANNER WITHOUT THE WRITTEN CONSENT OF AN EZ FORM COMPANY OFFICIAL

REVISIONS

APPD DATE	A.T.
BY	P.J.P.
DATE	6-1-09
DESCRIPTION	REVISED P/N
REV.	A

UNLESS OTHERWISE SPECIFIED:

DIMENSIONS ARE IN INCHES:		SCALE	
TOLERANCES:		—	
DECIMALS:	FRACTIONS: ± 1/64	⊙ □	
2-PLACE ± .010	3-PLACE ± .005		
MATERIAL: _____			
FINISH: _____			
DRAWN	DATE	CHECKED	DATE
P.J.P.	6-1-09	J.A.B.	6-1-09
APPROVED	DATE	SHEET	OF
A.T.	6-1-09	1	1

EZ FORM
CABLE CORPORATION
HAMDEN, CT 06517

TITLE
SMP RIGHT ANGLE JACK
FOR .047 DIA.
SEMI RIGID CABLE

A	CODE IDENT.	REV.
	9W826 CD-701400-047	A