

NOTES:

MATERIALS:

- 1. BODY CONTACT, RING
- 2. INSULATOR

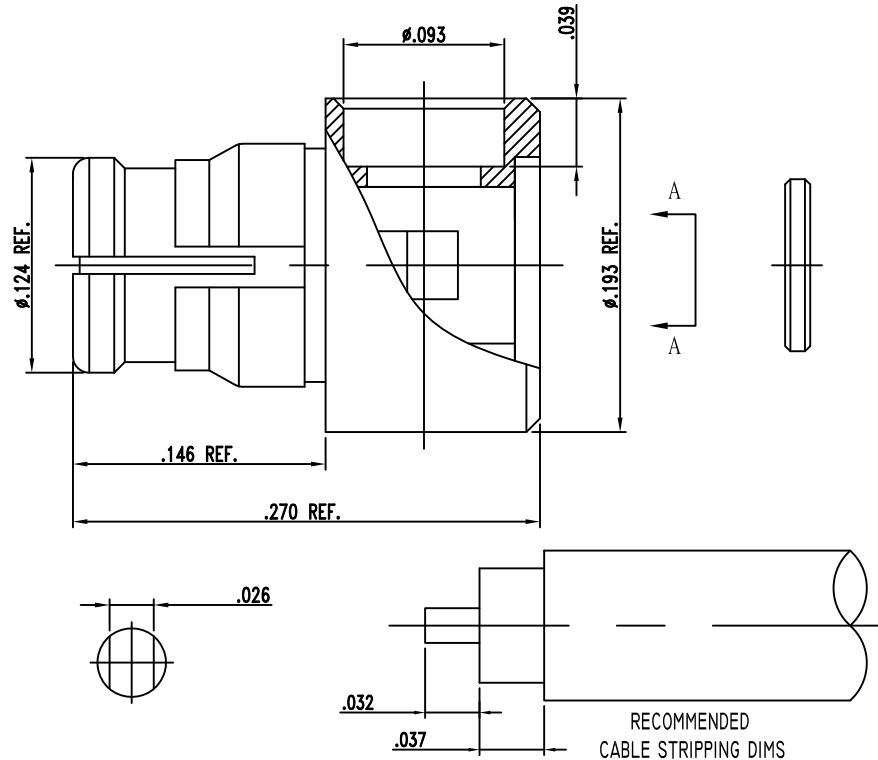
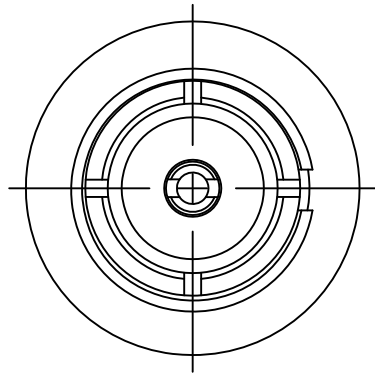
BERYLLIUM COPPER PER ASTM-B-196
TEFLON PER ASTM-D-1710

FINISHES:

- 1. ALL METAL PARTS

GOLD PLATE PER MIL-G-45204

RoHS



PROPRIETARY NOTICE

THIS DRAWING AND DESIGNS AND IDEAS EMBEDDED IN THE DEVICE TO WHICH IT RELATES AND THE METHOD OF PRODUCING THE DEVICE SHALL NOT BE EMPLOYED COPIED OR DISCLOSED TO ANYONE IN ANY MANNER WITHOUT THE WRITTEN CONSENT OF AN EZ FORM COMPANY OFFICIAL

REVISIONS

APPD DATE	BY DATE
DESCRIPTION	
REV.	

UNLESS OTHERWISE SPECIFIED:

DIMENSIONS ARE IN INCHES:
TOLERANCES:

DECIMALS: 2-PLACE ± .010 3-PLACE ± .005
FRACTIONS: ± 1/64
ANGLES: ± 3°

SCALE



MATERIAL: _____

FINISH: _____

DRAWN DATE CHECKED DATE
P.J.P. 1-23-09 J.A.B. 1-23-09

APPROVED DATE SHEET 1 OF 1
A.T. 1-23-09

EZ FORM
CABLE CORPORATION
HAMDEN, CT 06517

TITLE
SMP RIGHT ANGLE JACK
FOR .086 DIA.
SEMI RIGID CABLE

CODE IDENT. REV.
A 9W826 CD-701400-086