

**RoHS  
COMPLIANT**

**NOTES:**  
INTERFACE AND ENVIRONMENTAL REQUIREMENTS  
CONFORM TO MIL-STD-348, SMP SERIES

**ELECTRICAL SPECIFICATIONS:**

FREQUENCY RANGE (GHz): DC TO 26.5 GHz  
NOMINAL IMPEDANCE: 50 OHMS  
RETURN LOSS:

- $\geq 30$  dB, DC - 4 GHz
- $\geq 23$  dB, 4 - 12 GHz
- $\geq 20$  dB, 12 - 18 GHz

**INSERTION LOSS:**

- $\leq 0.1 \times \sqrt{f(\text{GHz})}$  dB, DC - 18 GHz
- INSULATION RESISTANCE:  $\geq 5$  G $\Omega$
- CENTER CONTACT RESISTANCE:  $\leq 6.0$  m $\Omega$
- OUTER CONTACT RESISTANCE:  $\leq 2.0$  m $\Omega$
- TEST VOLTAGE: 500 V rms
- WORKING VOLTAGE: 335 V rms
- CONTACT CURRENT: 1.2A DC MAX.

**MECHANICAL & ENVIRONMENTAL SPECIFICATIONS:**

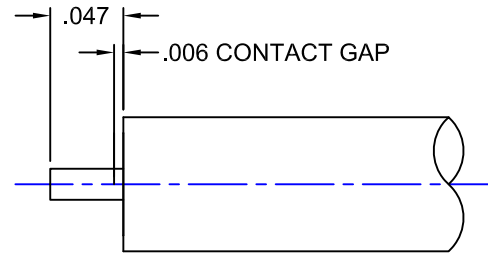
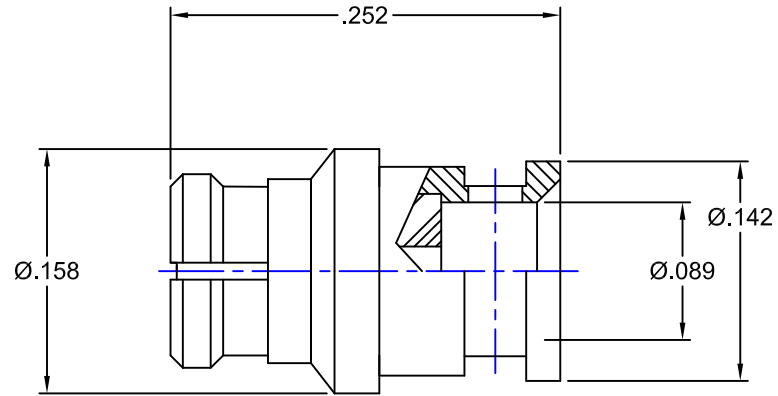
MATING CYCLES:  $\geq 100$   
TEMPERATURE RATING (DEGREES CELCIUS): -65°C TO +155°C  
ENGAGEMENT FORCE: 10.0 lb. MAX.  
DISENGAGEMENT FORCE: 2 lb. MIN.  
THERMAL SHOCK: MIL-STD-202, METHOD 107, COND. B  
VIBRATION: MIL-STD-202, METHOD 204, COND. B  
SHOCK: MIL-STD-202, METHOD 213, COND. A  
MOISTURE RESISTANCE: MIL-STD-202, METHOD 106  
RoHS: COMPLIANT

**MATERIALS:**

BODY: BERYLLIUM COPPER PER ASTM-B-196  
INSULATOR: TEFLON PER ASTM-D-1710  
CONTACT: BERYLLIUM COPPER PER ASTM-B-196  
SPRING RING: BERYLLIUM COPPER PER ASTM-B-196

**FINISHES:**

BODY: GOLD PLATE PER MIL-G-45204  
CONTACT: GOLD PLATE PER MIL-G-45204

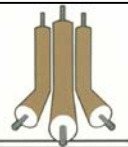


RECOMMENDED  
CABLE STRIPPING DIMS

**PROPRIETARY NOTICE**  
THIS DRAWING AND DESIGNS AND IDEAS EMBEDDED  
IN THE DEVICE TO WHICH IT RELATES AND THE  
METHOD OF PRODUCING THE DEVICE SHALL NOT BE  
EMPLOYED COPIED OR DISCLOSED TO ANYONE IN ANY  
MANNER WITHOUT THE WRITTEN CONSENT OF AN  
EZ FORM COMPANY OFFICIAL

APPD.	EW
DATE	3/5/14
BY	EW
DATE	3/5/14
DESCRIPTION	ECN#9099: REVISED FORMAT & NOTES
REV.	A

<b>UNLESS OTHERWISE SPECIFIED:</b>			
DIMENSIONS ARE IN INCHES:		SCALE	
TOLERANCES:		8:1	
DECIMALS:	FRACTIONS: $\pm 1/64$		
2-PLACE $\pm .03$	ANGLES: $\pm 3^\circ$		
3-PLACE $\pm .01$		MATERIAL:	
SEE NOTES			
FINISH:			
SEE NOTES			
DRAWN	DATE	CHECKED	DATE
EW	3/5/14	AT	3/5/14
APPROVED	DATE	SHEET 1 OF 1	
JAB	3/5/14		



**EZ Form Cable  
Corporation**  
285 Welton Street  
Hamden, CT 06517

**SMP STRAIGHT JACK  
FOR  $\phi$ .086 SEMI-RIGID CABLE**

<b>A</b>	CODE IDENT.	<b>701401-086</b>	REV.
	9W826		A