

# RoHS

## COMPLIANT

**ELECTRICAL:**

NOMINAL IMPEDANCE: 50Ω  
 OPERATING FREQUENCY: DC TO 12 GHz

**MATERIALS:**

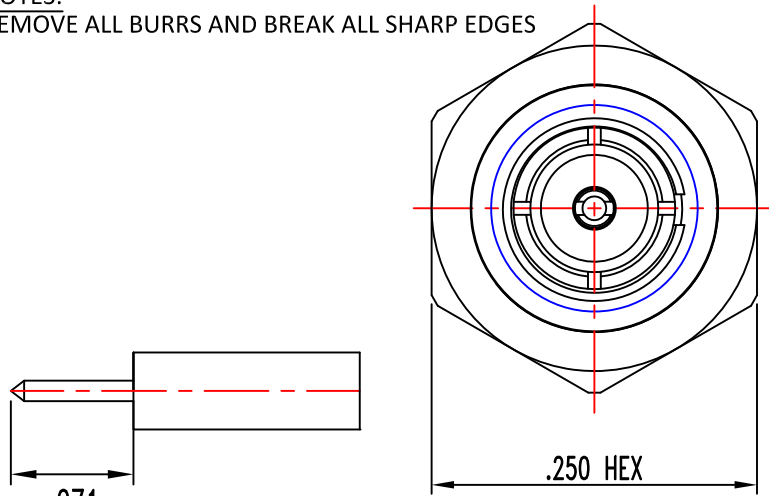
BODY AND CONTACT: BERYLLIUM COPPER PER ASTM-B-196  
 NUT AND WASHER: PHOSPHOR BRONZE PER ASTM-B-103  
 INSULATOR: PTFE PER ASTM-D-1710

**FINISHES:**

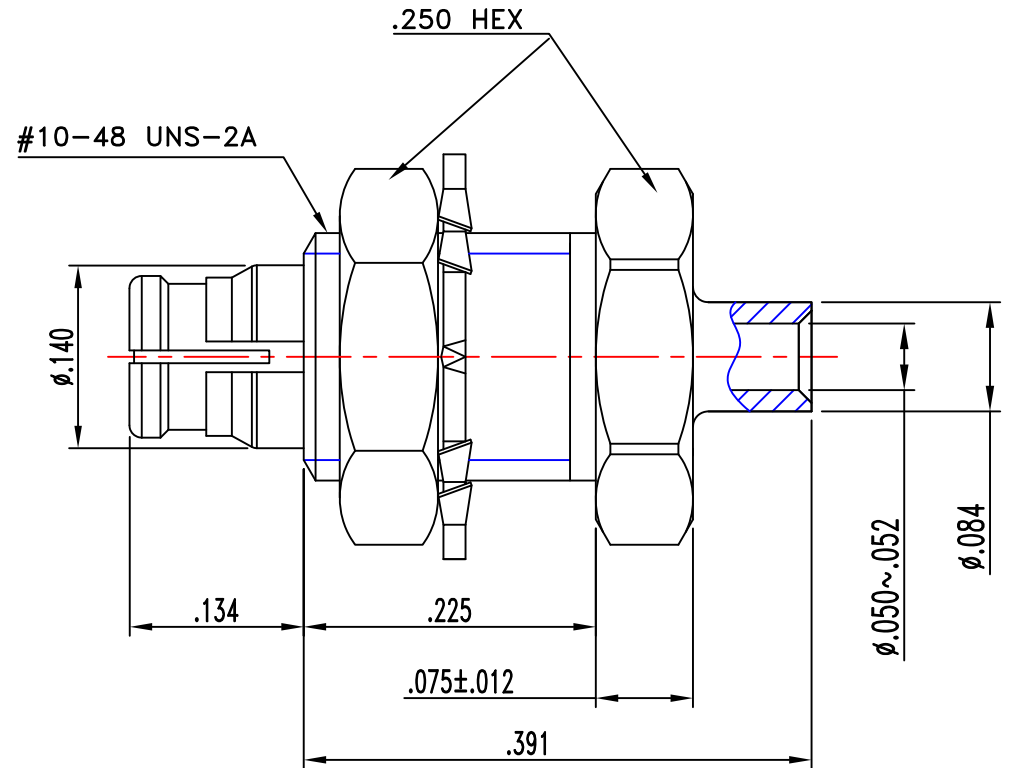
BODY: TRI-ALLOY  
 CONTACT: GOLD PLATE PER MIL-G-45204  
 NUT AND WASHER: TRI- ALLOY

**NOTES:**

REMOVE ALL BURRS AND BREAK ALL SHARP EDGES



RECOMMENDED  
CABLE STRIPPING DIMS



**PROPRIETARY NOTICE**

THIS DRAWING AND DESIGNS AND IDEAS EMBEDDED IN THE DEVICE TO WHICH IT RELATES AND THE CONTENTS HEREOF ARE THE PROPERTY OF EZ FORM COMPANY AND WILL BE EMPLOYED, COPIED OR DISCLOSED TO ANYONE IN ANY MANNER WITHOUT THE WRITTEN CONSENT OF AN EZ FORM COMPANY OFFICIAL

APPD.	DK	DK
DATE	9/19/14	9/24/14
BY	DK	DK
DATE	9/19/14	9/24/14
DESCRIPTION	INITIAL RELEASE	ADDED CABLE STRIPPING DIMENSION
REV.	-	A

<b>UNLESS OTHERWISE SPECIFIED:</b>			
DIMENSIONS ARE IN INCHES:		SCALE NONE	
TOLERANCES:			
DECIMALS:	FRACTIONS: ± 1/64		
2-PLACE ± .010			
3-PLACE ± .005	ANGLES: ± 3°		
MATERIAL:			
FINISH:			
DRAWN	DATE	CHECKED	DATE
DK	9/19/14	AT	9/19/14
APPROVED	DATE	SHEET	OF
JAB	9/19/14	1	1

<b>EZ Form Cable Corporation</b>		
285 Welton Street Hamden, CT 06517		
TITLE <b>SMP JACK BULKHEAD FOR .047 CABLE</b>		
CODE IDENT.	REV.	
<b>A</b> 9W826	701404-047	A