



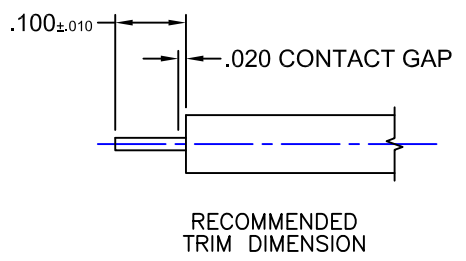
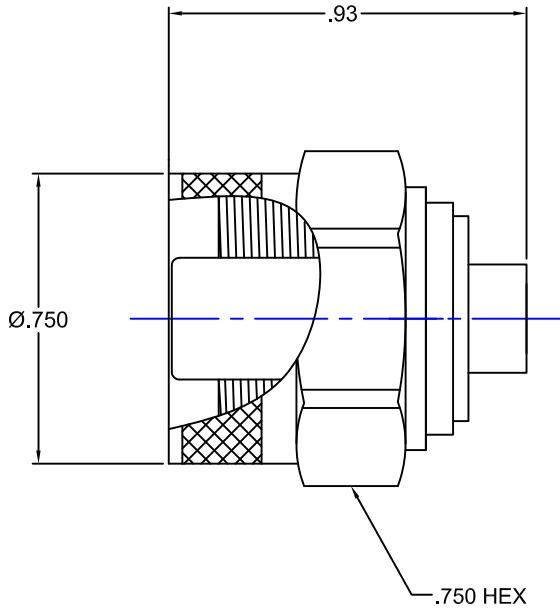
NOTES:
INTERFACE AND ENVIRONMENTAL REQUIREMENTS
 CONFORM TO MIL-PRF-39012 & MIL-STD-348 TYPE "N" SERIES

ELECTRICAL SPECIFICATIONS:
 FREQUENCY RANGE (GHz): DC TO 10 GHz
 VSWR (MAX.): 1.20:1, DC-10 GHz
 INSERTION LOSS: .05 X \sqrt{f} GHz
 NOMINAL IMPEDANCE: 50 OHMS
 POWER HANDLING: 600 W MAX.
 CONTACT RESISTANCE: <2.0 milliohms
 INSULATION RESISTANCE: 5K Megohms MIN.
 DIELECTRIC WITHSTANDING VOLTAGE: 2,500 V

MECHANICAL & ENVIRONMENTAL SPECIFICATIONS:
 TEMPERATURE RATING: -65°C to +105°C
 MATING CYCLES: 100
 MATING TORQUE: 12 - 15 IN./LBS.

MATERIALS:
 BODY, COUPLING NUT, & CONTACT: BRASS 1/2 HARD PER ASTM-B-16
 INSULATOR: VIRGIN WHITE TEFLON PER ASTM-D-1710
 RETAINING RING: BERYLLIUM COPPER PER ASTM-B-196B
 GASKET: SILICONE RUBBER PER ZZ-R-765

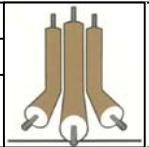
FINISHES:
 COUPLING NUT: NICKEL PLATE PER QQ-N-290
 CONTACT & BODY : GOLD PLATE PER MIL-G-45204



PROPRIETARY NOTICE
 THIS DRAWING AND DESIGNS AND IDEAS EMBEDDED IN THE DEVICE TO WHICH IT RELATES AND THE METHOD OF PRODUCING THE DEVICE SHALL NOT BE EMPLOYED COPIED OR DISCLOSED TO ANYONE IN ANY MANNER WITHOUT THE WRITTEN CONSENT OF AN EZ FORM COMPANY OFFICIAL

APPD.	EW
DATE	8/28/13
BY	EW
DATE	8/28/13
DESCRIPTION	ECN#9809, REDRAWN & UPDATED NOTES
REV.	A

UNLESS OTHERWISE SPECIFIED:			
DIMENSIONS ARE IN INCHES:		SCALE NONE	
TOLERANCES:			
DECIMALS:	FRACTIONS: ± 1/64		
2-PLACE ± .010			
3-PLACE ± .005	ANGLES: ± 3°		
MATERIAL: SEE NOTES			
FINISH: SEE NOTES			
DRAWN	DATE	CHECKED	DATE
EW	8/28/13	AT	8/28/13
APPROVED	DATE	SHEET 1 OF 1	
JAB	8/28/13		



EZ Form Cable Corporation
 285 Welton Street
 Hamden, CT 06517

TITLE TYPE "N" STRAIGHT PLUG FOR .250 SEMI-RIGID CABLE DIRECT SOLDER			
CODE IDENT.	701633-251		REV. A
A	9W826		