

INTERFACE CONFORMS TO MIL-PRF-39012 BMA SERIES

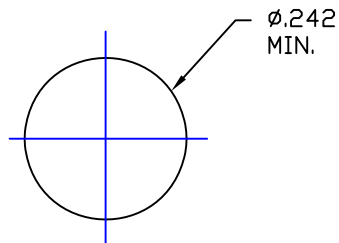
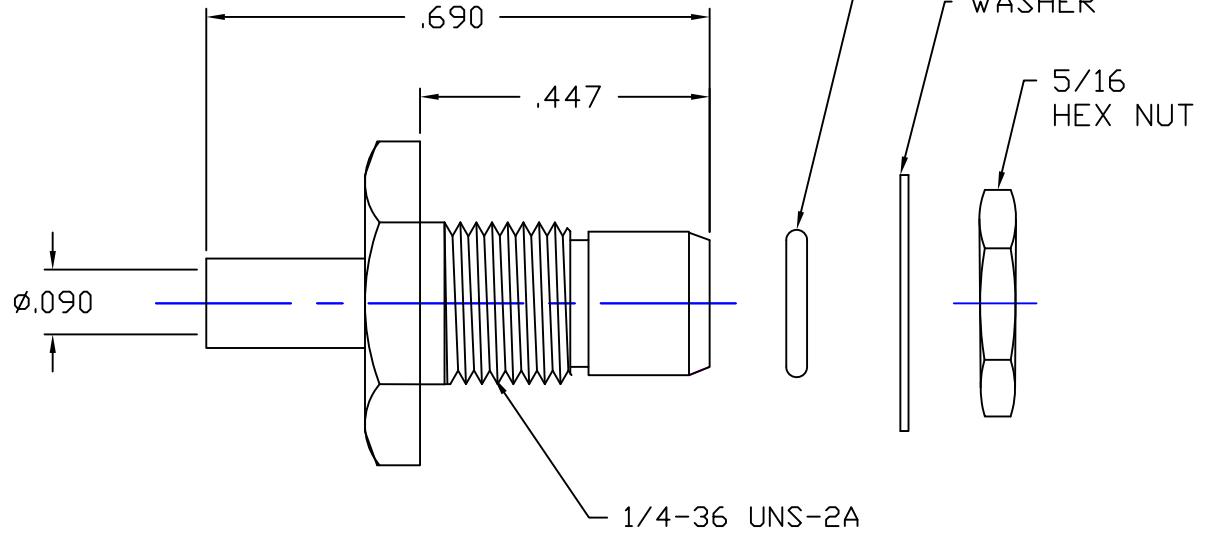
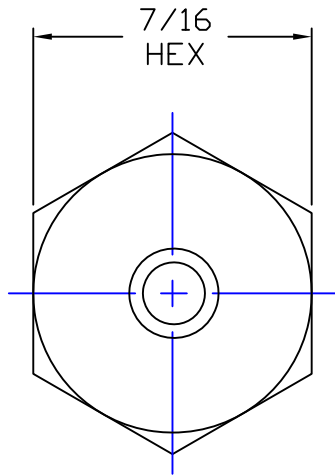
NOTES:

MATERIALS:

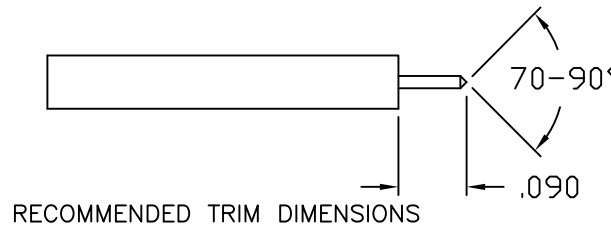
BODY, CONTACT, JAM NUT — BRASS 1/2 HD PER ASTM-B-16
 O-RING _____ SILICONE PER ZZ-R-765
 INSULATOR _____ TEFLON VIRGIN WHITE PER ASTM-D-1710

FINISHES:

ALL METAL PARTS _____ GOLD PLATE PER MIL-G-45204



RECOMMENDED MOUNTING HOLE



RECOMMENDED TRIM DIMENSIONS

THIS DRAWING THE DESIGNS AND IDEAS EMBODIED IN THE DEVICE TO WHICH IT RELATES AND THE METHOD OF PRODUCING THE DEVICE SHALL NOT BE EMPLOYED COPIED OR DISCLOSED TO ANYONE IN ANY MANNER WITHOUT THE CONSENT OF AN EZ FORM COMPANY OFFICIAL

APPD	A.T.	
BY	T.D.	
DATE	8-25-15	
DESCRIPTION	ECN: #9999 ADDED TRIM DIMENSIONS	
REV.	A	

UNLESS OTHERWISE SPECIFIED:

DIMENSIONS ARE IN INCHES: TOLERANCES:		SCALE	
DECIMALS:			
2-PLACE ± .020	FRACTIONS: ± 1/64		
3-PLACE ± .015	ANGLES: ± 3°		
MATERIAL: SEE NOTES			
FINISH: SEE NOTES			
DRAWN	DATE	CHECKED	DATE
P.J.P.	4-3-07	A.T.	4-3-07
APPROVED	DATE	SHEET	OF
J.A.B.	4-3-07		

EZ FORM
CABLE CORPORATION
 HAMDEN, CT 06517

TITLE
 BMA BLUKHEAD PLUG
 FOR USE WITH .086 DIA.
 SEMI RIGID CABLE

A	CODE IDENT. 9W826	CD-701921-086	REV. A
----------	-----------------------------	---------------	------------------