

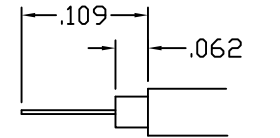
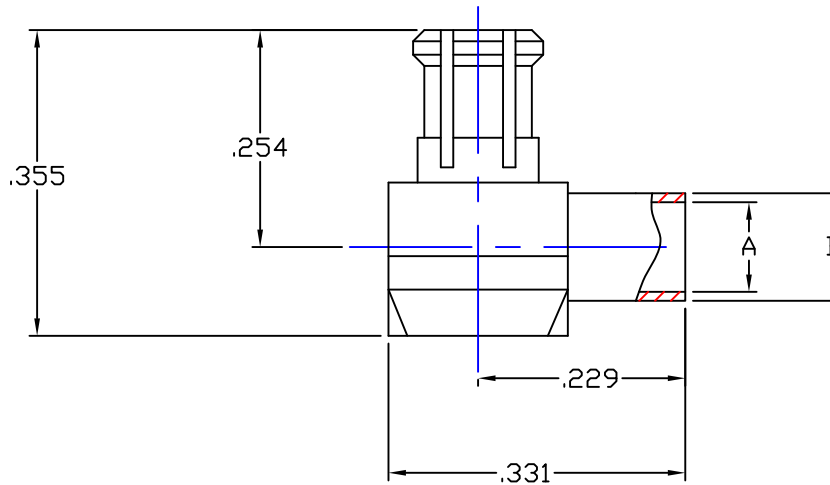
NOTES:
 INTERFACE CONFORMS TO MIL-PRF-39012 MCX CONNECTOR
 SERIES

MATERIALS:
 BODY,CAP & CONTACT BRASS PER ASTM-B-16
 CONTACT OUTER BERYLLIUM COPPER PER ASTM-B-196

INSULATORS TEFLON PER ASTM-D-1710

FINISHES:
 BODY CAP & GOLD PLATE PER MIL-G-45204
 CONTACTS

701944-141MCX
 701944-086MCX
 701944-047MCX
 701944-070MCX
 701944-062MCX



RECOMMENDED STRIPPING
 DIMENSIONS

-.062	.065	.100
-.070	.074	.109
-.141	.145	.185
-.086	.090	.125
-.047	.051	.086
DASH NO.	"A"	"B"

THIS DRAWING THE DESIGNS AND IDEAS EMBODIED IN THE DEVICE TO WHICH IT RELATES AND THE METHOD OF PRODUCING THE DEVICE SHALL NOT BE EMPLOYED COPIED OR DISCLOSED TO ANYONE IN ANY MANNER WITHOUT THE CONSENT OF ANVEZ FORM COMPANY OFFICIAL	APPD		
	BY		
	DATE		
	DESCRIPTION		
REV.			

UNLESS OTHERWISE SPECIFIED:

DIMENSIONS ARE IN INCHES:
 TOLERANCES:

DECIMALS:	FRACTIONS: ± 1/64
2-PLACE ± .010	ANGLES: ± 3°
3-PLACE ± .005	

MATERIAL: _____

FINISH: _____

DRAWN	DATE	CHECKED	DATE
P.J.P.	2-10-03	J.A.B.	2-10-03
APPROVED	DATE	SHEET	OF
T.A.R.	2-10-03		

EZ FORM
 CABLE CORPORATION
 HAMDEN, CT. 06517

TITLE: MCX R/A PLUG FOR SEMI RIGID

A	CODE IDENT.	REV.
	9W826 CD-701944-XXX	—