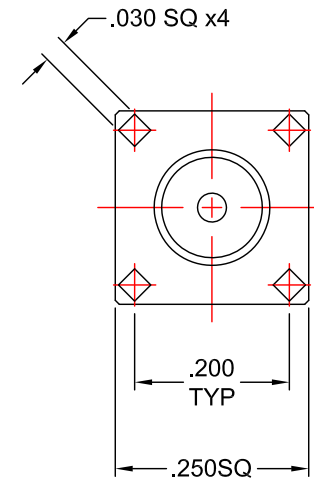
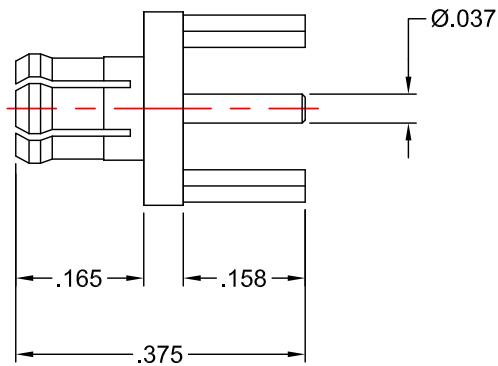


RoHS
COMPLIANT



NOTES:

INTERFACE CONFORMS TO IEC 60169-36
AND CECC 22220 MCX SERIES

ELECTRICAL:

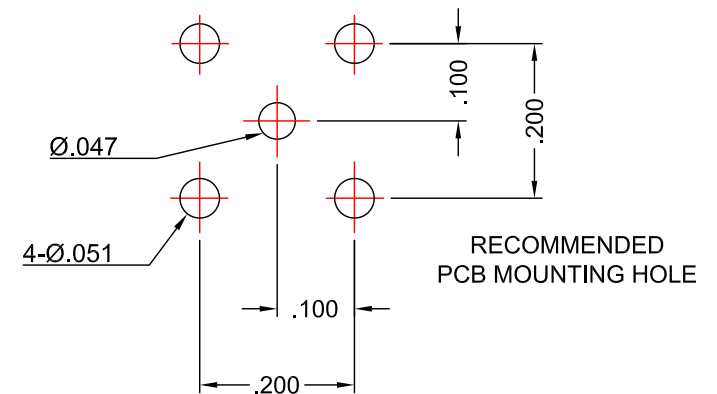
NOMINAL IMPEDANCE: 50Ω
FREQUENCY RANGE: DC TO 6 GHz

MATERIALS:

INSULATOR: TEFLON PER ASTM-D-1710
OUTER CONTACT: BERYLLIUM COPPER PER ASTM-B-196
BODY & CONTACT: 360 ALLOY BRASS 1/2 HARD PER ASTM-B-16

FINISHES:

CONTACTS: GOLD PLATE PER MIL-DTL-45204
BODY: GOLD PLATE PER MIL-DTL-45204



PROPRIETARY NOTICE

THIS DRAWING AND DESIGNS AND IDEAS EMBEDDED IN THE DEVICE TO WHICH IT RELATES AND THE METHOD OF PRODUCING THE DEVICE SHALL NOT BE EMPLOYED COPIED OR DISCLOSED TO ANYONE IN ANY MANNER WITHOUT THE WRITTEN CONSENT OF AN EZ FORM COMPANY OFFICIAL

APPD.	T.D.	
DATE	03/20/17	
BY	J.N.	
DATE	03/20/17	
DESCRIPTION	INITIAL RELEASE	
REV.	-	

UNLESS OTHERWISE SPECIFIED:

DIMENSIONS ARE IN INCHES:
TOLERANCES: NONE

SCALE
4:1

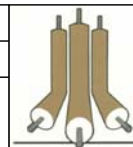


MATERIAL:
SEE NOTES

FINISH:
SEE NOTES

DRAWN	DATE	CHECKED	DATE
J.N.	03/20/17	T.D.	03/20/17

APPROVED	DATE	SHEET	1	OF	1
A.T.	03/20/17				



EZ Form Cable Corporation
285 Welton Street
Hamden, CT 06517
WWW.ezform.com

TITLE
MCX STRAIGHT PLUG PCB MOUNT

A	CODE IDENT.	701965-100MCX	REV.
	9W826	-	-