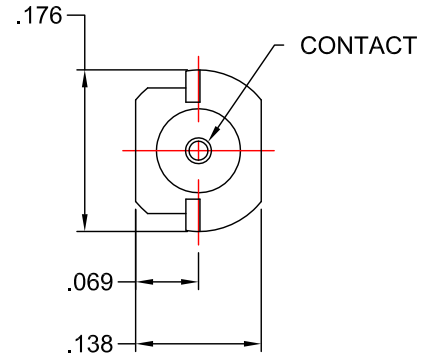
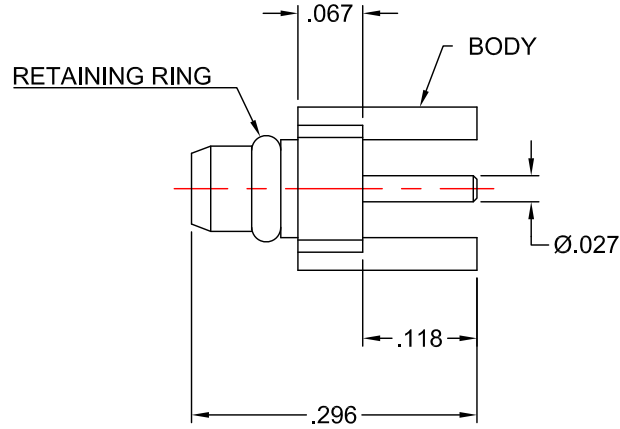


RoHS  
COMPLIANT



**NOTES:**

INTERFACE CONFORMS TO CECC 22000 MCX SERIES

**ELECTRICAL:**

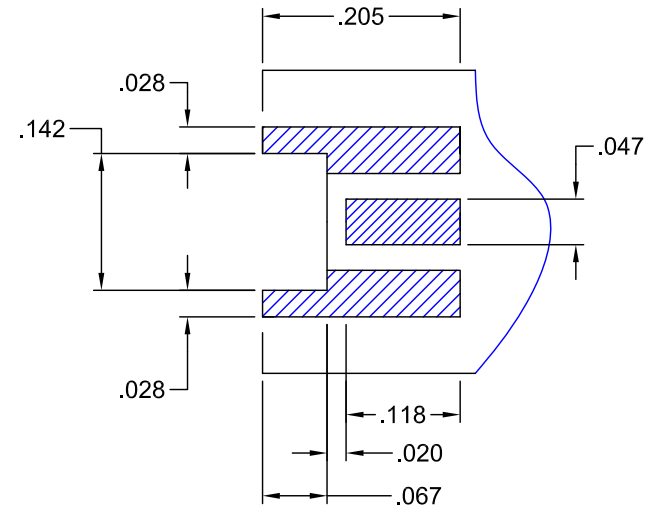
NOMINAL IMPEDANCE: 50Ω  
FREQUENCY RANGE: DC TO 6 GHz

**MATERIALS:**

INSULATOR: TEFLON PER ASTM-D-1710  
RETAINING RING: BERYLLIUM COPPER PER ASTM-B-196  
BODY & CONTACT: 360 ALLOY BRASS 1/2 HARD PER ASTM-B-16

**FINISHES:**

CONTACT & RETAINING RING: GOLD PLATE PER MIL-DTL-45204  
BODY: GOLD PLATE PER MIL-DTL-45204



**PROPRIETARY NOTICE**  
THIS DRAWING AND DESIGNS AND IDEAS EMBEDDED IN THE DEVICE TO WHICH IT RELATES AND THE METHOD OF PRODUCING THE DEVICE SHALL NOT BE EMPLOYED COPIED OR DISCLOSED TO ANYONE IN ANY MANNER WITHOUT THE WRITTEN CONSENT OF AN EZ FORM COMPANY OFFICIAL

APPD. DATE	T.D. DATE	
BY	J.N.	
DATE	4/6/17	
DESCRIPTION	INITIAL RELEASE	
REV.	-	

<b>UNLESS OTHERWISE SPECIFIED:</b>			
DIMENSIONS ARE IN INCHES:		SCALE 5:1	
TOLERANCES: NONE			
MATERIAL:		SEE NOTES	
FINISH:		SEE NOTES	
DRAWN	DATE	CHECKED	DATE
J.N.	4/6/17	AT	4/6/17
APPROVED	DATE	SHEET 1 OF 1	
A.T.	4/6/17		

		<b>EZ Form Cable Corporation</b> 285 Welton Street Hamden, CT 06517 WWW.ezform.com	
TITLE MMCX PLUG FOR PCB EDGE MOUNT			
<b>A</b>	CODE IDENT. 9W826	<b>704006-100</b>	REV. -