

RoHS
COMPLIANT

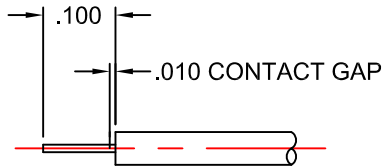
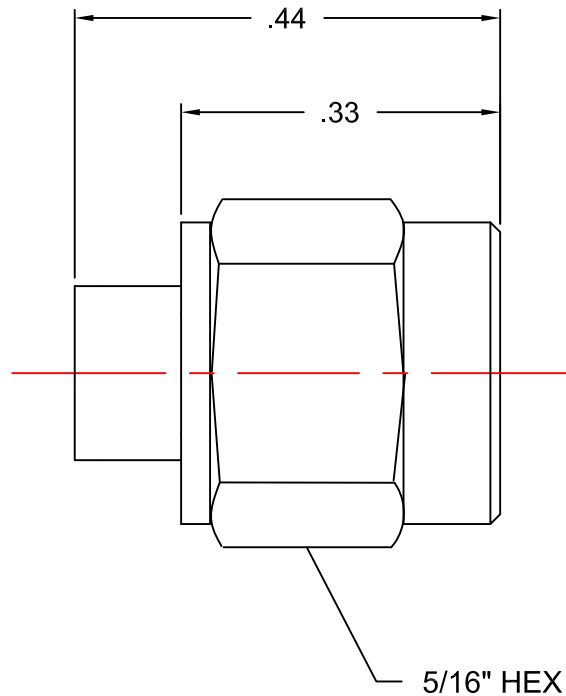
NOTES:
INTERFACE AND ENVIRONMENTAL REQUIREMENTS CONFORM TO MIL-PRF-39012 AND MIL-STD-348, SMA SERIES

ELECTRICAL SPECIFICATIONS:

FREQUENCY RANGE (GHz): DC TO 18 GHz
VSWR (MAX.): 1.07 + .010 X FGHz
INSERTION LOSS (dB MAX.): .04 dB X FGHz
NOMINAL IMPEDANCE: 50 OHMS

MECHANICAL & ENVIRONMENTAL SPECIFICATIONS:
TEMPERATURE RATING (DEGREES CELCIUS): -65°C TO +165°C
DURABILITY: 500 MATINGS

MATERIALS:
BODY & NUT: BRASS PER ASTM-B-16
INSULATOR: TEFLON PER ASTM-D-1710
CONTACT: BERYLLIUM COPPER PER ASTM-B-196
GASKET: SILICONE RUBBER PER ZZ-R-765
FINISHES:
CONTACT: GOLD PLATE PER MIL-G-45204
ALL OTHER METAL PARTS: GOLD PLATE PER MIL-G-45204



**RECOMMENDED
CABLE STRIPPING DIMS**

PROPRIETARY NOTICE
THIS DRAWING AND DESIGN AND IDEAS EMBEDDED IN THE DEVICE TO WHICH IT RELATES AND THE METHOD OF PRODUCING THE DEVICE SHALL NOT BE EMPLOYED COPIED OR DISCLOSED TO ANYONE IN ANY MANNER WITHOUT THE WRITTEN CONSENT OF AN EZ FORM COMPANY OFFICIAL

APPD.	EW	
DATE	1/24/13	
BY	EW	
DATE	1/24/13	
DESCRIPTION		
INITIAL RELEASE		
REV.	-	

UNLESS OTHERWISE SPECIFIED:			
DIMENSIONS ARE IN INCHES:		SCALE 5:1	
TOLERANCES:			
DECIMALS:	FRACTIONS: ± 1/64		
2-PLACE ± .010	3-PLACE ± .005		
ANGLES: ± 3°			
MATERIAL: SEE NOTES			
FINISH: SEE NOTES			
DRAWN	DATE	CHECKED	DATE
EW	5/5/14	AT	5/5/14
APPROVED	DATE	SHEET	OF
JAB	5/5/14	1	1

EZ Form Cable Corporation 285 Welton Street Hamden, CT 06517		TITLE	
		SMA STRAIGHT PLUG DIRECT SOLDER, NON-CAPTIVE CONTACT FOR Ø.141 SEMI-RIGID CABLE	
A	CODE IDENT.	REV.	
	9W826	705533-101SMA	-