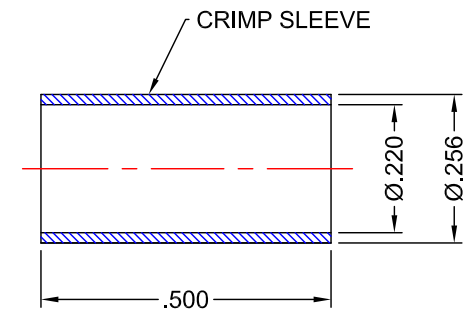
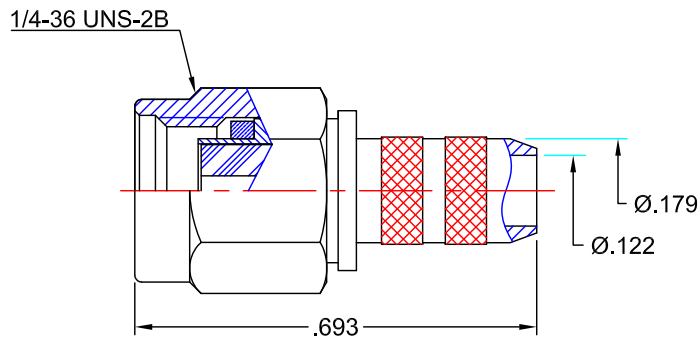
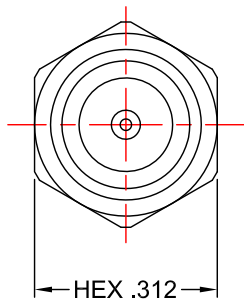


RoHS
COMPLIANT



NOTES:

INTERFACE CONFORMS TO MIL-PRF-39012 AND MIL-STD-348 SMA SERIES

ELECTRICAL:

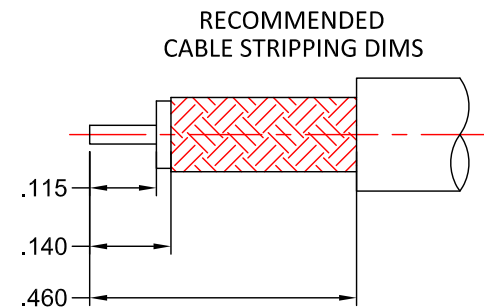
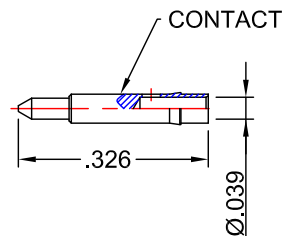
NOMINAL IMPEDANCE: 50Ω
FREQUENCY RANGE: DC TO 12 GHz

MATERIALS:

INSULATOR: TEFLON PER ASTM-D-1710
RETAINING RING: BERYLLIUM COPPER PER ASTM-B-196
BODY, CONTACT, & COUPLING NUT: 360 ALLOY BRASS 1/2 HARD PER ASTM-B-16
GASKET: SILICONE RUBBER PER ZZ-R-765

FINISHES:

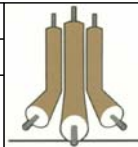
CONTACT: GOLD PLATE PER MIL-DTL-45204
BODY, COUPLING NUT, & CRIMP SLEEVE: GOLD PLATE PER MIL-DTL-45204



PROPRIETARY NOTICE
THIS DRAWING AND DESIGNS AND IDEAS EMBEDDED IN THE DEVICE TO WHICH IT RELATES AND THE METHOD OF PRODUCING THE DEVICE SHALL NOT BE EMPLOYED COPIED OR DISCLOSED TO ANYONE IN ANY MANNER WITHOUT THE WRITTEN CONSENT OF AN EZ FORM COMPANY OFFICIAL

APPD. DATE	T.D. DATE	
BY DATE	J.N. DATE	
DESCRIPTION	INITIAL RELEASE	
REV.	-	

UNLESS OTHERWISE SPECIFIED:			
DIMENSIONS ARE IN INCHES:		SCALE	
TOLERANCES: NONE		3:1	
MATERIAL: SEE NOTES			
FINISH: SEE NOTES			
DRAWN	DATE	CHECKED	DATE
J.N.	4/11/17	T.D.	4/11/17
APPROVED	DATE	SHEET 1 OF 1	
A.T.	4/11/17		



EZ Form Cable Corporation
285 Welton Street
Hamden, CT 06517
WWW.ezform.com

TITLE			
SMA MALE PLUG FOR RG-141, RG-58			
A	CODE IDENT.	705548-001SMA	REV.
	9W826		-