

RoHS  
COMPLIANT

**NOTES:**

INTERFACE CONFORMS TO MIL-PRF-39012  
AND MIL-STD-348 SMA SERIES

**ELECTRICAL:**

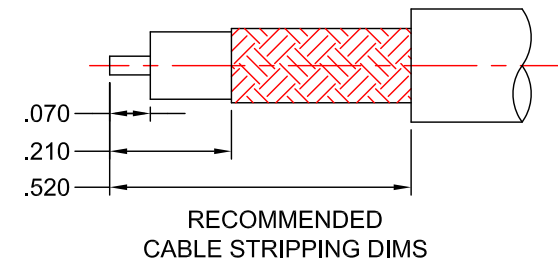
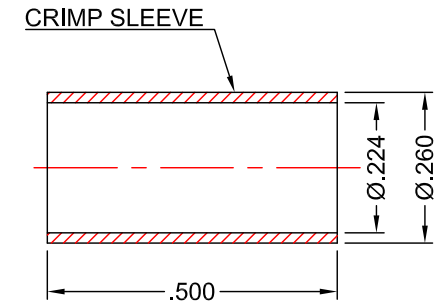
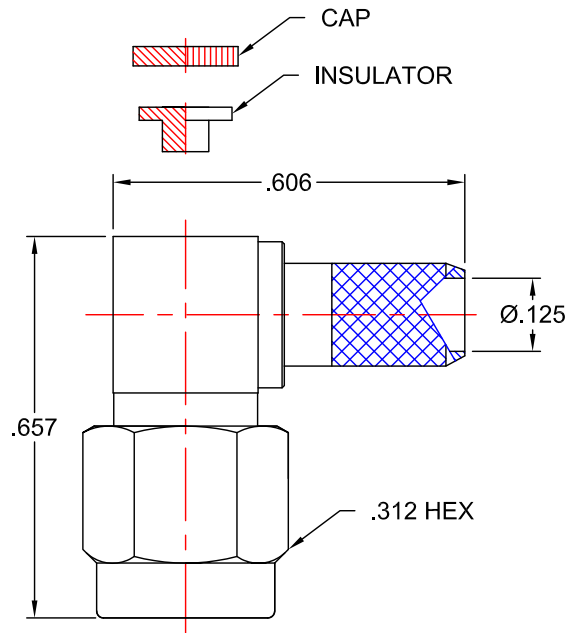
NOMINAL IMPEDANCE: 50Ω  
FREQUENCY RANGE: DC TO 12 GHz

**MATERIALS:**

INSULATOR: TEFLON PER ASTM-D-1710  
RETAINING RING: BERYLLIUM COPPER PER ASTM-B-196:  
BODY, COUPLING NUT, & CAP: 360 ALLOY BRASS 1/2 HARD PER ASTM-B-16  
GASKET: SILCONE RUBBER PER ZZ-R-765  
CRIMP SLEEVE: 360 ALLOY BRASS PER ASTM-B-16

**FINISHES:**


CONTACT: GOLD PLATE PER MIL-DTL-45204  
BODY, CONTACT, COUPLING NUT, CAP, & CRIMP SLEEVE: GOLD PLATE PER MIL-DTL-45204



**PROPRIETARY NOTICE**  
THIS DRAWING AND DESIGNS AND IDEAS EMBEDDED IN THE DEVICE TO WHICH IT RELATES AND THE METHOD OF PRODUCING THE DEVICE SHALL NOT BE EMPLOYED COPIED OR DISCLOSED TO ANYONE IN ANY MANNER WITHOUT THE WRITTEN CONSENT OF AN EZ FORM COMPANY OFFICIAL

APPD. DATE	T.D. DATE	
BY DATE	J.N. DATE	
DESCRIPTION	INITIAL RELEASE	
REV.	-	

<b>UNLESS OTHERWISE SPECIFIED:</b>			
DIMENSIONS ARE IN INCHES:		SCALE	
TOLERANCES: NONE		3:1	
MATERIAL: SEE NOTES			
FINISH: SEE NOTES			
DRAWN	DATE	CHECKED	DATE
J.N.	4/5/17	T.D.	4/5/17
APPROVED	DATE	SHEET 1 OF 1	
A.T.	4/5/17		

	<b>EZ Form Cable Corporation</b> 285 Welton Street Hamden, CT 06517 WWW.ezform.com		
	TITLE SMA RIGHT ANGLE PLUG CRIMP FOR RG-142, RG-223		
<b>A</b>	CODE IDENT. 9W826	705555-001SMA	REV. -