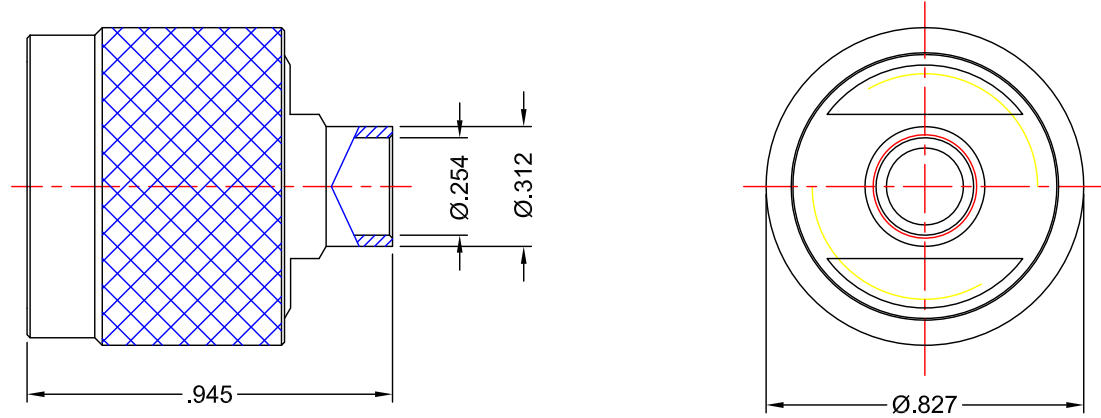


RoHS  
COMPLIANT



**NOTES:**

INTERFACE CONFORMS TO MIL-PRF-39012  
AND MIL-STD-348 TYPE "N" SERIES

**ELECTRICAL:**

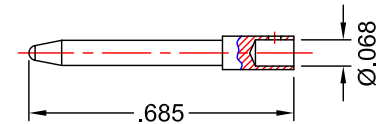
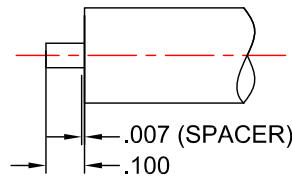
NOMINAL IMPEDANCE: 50Ω  
FREQUENCY RANGE: DC TO 11 GHz

**MATERIALS:**

INSULATOR: TEFLON PER ASTM-D-1710  
BODY & CONTACT: 360 ALLOY BRASS 1/2 HARD PER ASTM-B-16  
GASKET: SILCONE RUBBER PER ZZ-R-765  
RETAINING RING: PHOSPHOR BRONZE PER ASTM B-139

**FINISHES:**

BODY & CONTACT: GOLD PLATE PER MIL-DTL-45204  
COUPLING NUT & RETAINING RING: NICKEL PLATE PER QQ-N-290



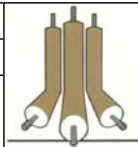
RECOMMENDED CABLE STRIPPING DIMENSIONS

**PROPRIETARY NOTICE**

THIS DRAWING AND DESIGNS AND IDEAS EMBEDDED IN THE DEVICE TO WHICH IT RELATES AND THE METHOD OF PRODUCING THE DEVICE SHALL NOT BE EMPLOYED COPIED OR DISCLOSED TO ANYONE IN ANY MANNER WITHOUT THE WRITTEN CONSENT OF AN EZ FORM COMPANY OFFICIAL

APPD. DATE	T.D. DATE	
4/4/17	4/4/17	
BY DATE	J.N. DATE	
4/4/17	4/4/17	
DESCRIPTION	INITIAL RELEASE	
REV.	-	

<b>UNLESS OTHERWISE SPECIFIED:</b>			
DIMENSIONS ARE IN INCHES:		SCALE	
TOLERANCES: NONE		2:1	
MATERIAL		FINISH	
SEE NOTES		SEE NOTES	
DRAWN	DATE	CHECKED	DATE
J.N.	4/4/17	T.D.	4/4/17
APPROVED	DATE	SHEET 1 OF 1	
A.T.	4/4/17		



<b>EZ Form Cable Corporation</b>			
285 Welton Street Hamden, CT 06517 WWW.ezform.com			
TITLE			
TYPE "N" PLUG FOR .250 S/R CABLE			
A	CODE IDENT.	705936-101N	REV.
	9W826		-