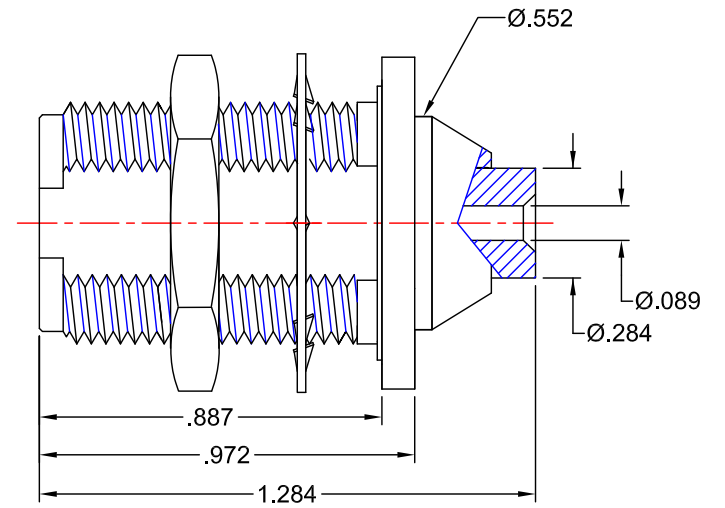
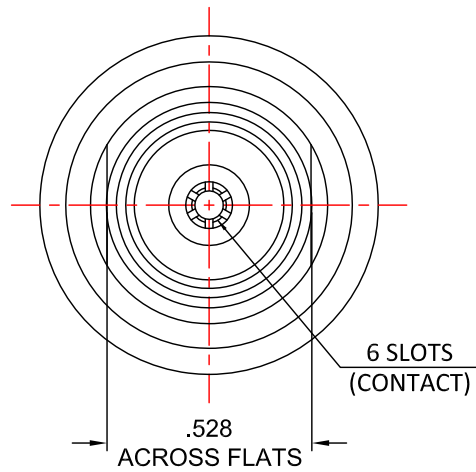


RoHS
COMPLIANT



NOTES:

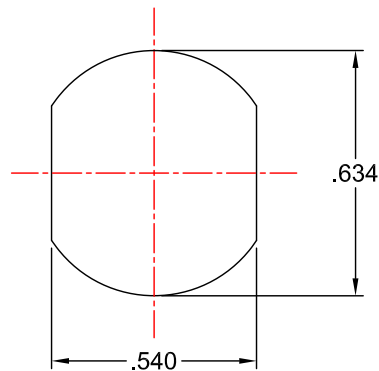
INTERFACE CONFORMS TO MIL-PRF-39012
AND MIL-STD-348 "N" SERIES

ELECTRICAL:

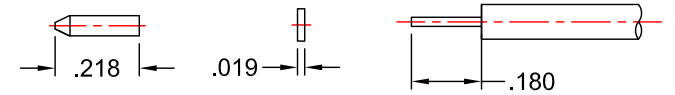
NOMINAL IMPEDANCE: 50Ω
FREQUENCY RANGE: DC TO 11 GHz

MATERIALS:

INSULATOR: TEFLON PER ASTM-D-1710
CONTACT: BERYLLIUM COPPER PER ASTM-B-196
BODIES, JAM-NUT, WASHER, & SOLDER CONTACT:
360 ALLOY BRASS 1/2 HARD PER ASTM-B-16
GASKET: SILCONE RUBBER PER ZZ-R-765



RECOMMENDED MOUNTING HOLE



RECOMMENDED CABLE STRIPPING DIMENSIONS

FINISHES:

CONTACTS & SOLDER BODY: GOLD PLATE PER MIL-DTL-45204
BODIES, JAM-NUT, & WASHER: NICKEL PLATE PER QQ-N-290

PROPRIETARY NOTICE

THIS DRAWING AND DESIGNS AND IDEAS EMBEDDED
IN THE DEVICE TO WHICH IT RELATES AND THE
METHOD OF PRODUCING THE DEVICE SHALL NOT BE
EMPLOYED COPIED OR DISCLOSED TO ANYONE IN ANY
MANNER WITHOUT THE WRITTEN CONSENT OF AN
EZ FORM COMPANY OFFICIAL

APPD. DATE	T.D. 4/4/17	
BY DATE	J.N. 4/4/17	
DESCRIPTION	INITIAL RELEASE	
REV.	-	

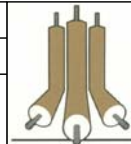
UNLESS OTHERWISE SPECIFIED:

DIMENSIONS ARE IN INCHES:
TOLERANCES: NONE

SCALE
2:1



MATERIAL	SEE NOTES		
FINISH	SEE NOTES		
DRAWN J.N.	DATE 4/4/17	CHECKED AT	DATE 4/4/17
APPROVED A.T.	DATE 4/4/17	SHEET 1	OF 1



**EZ Form Cable
Corporation**
285 Welton Street
Hamden, CT 06517
WWW.ezform.com

TITLE	TYPE "N" BULKHEAD JACK CAPTIVE CONTACT FOR .086 S/R CABLE		
A	CODE IDENT. 9W826	708938-405N	REV. -