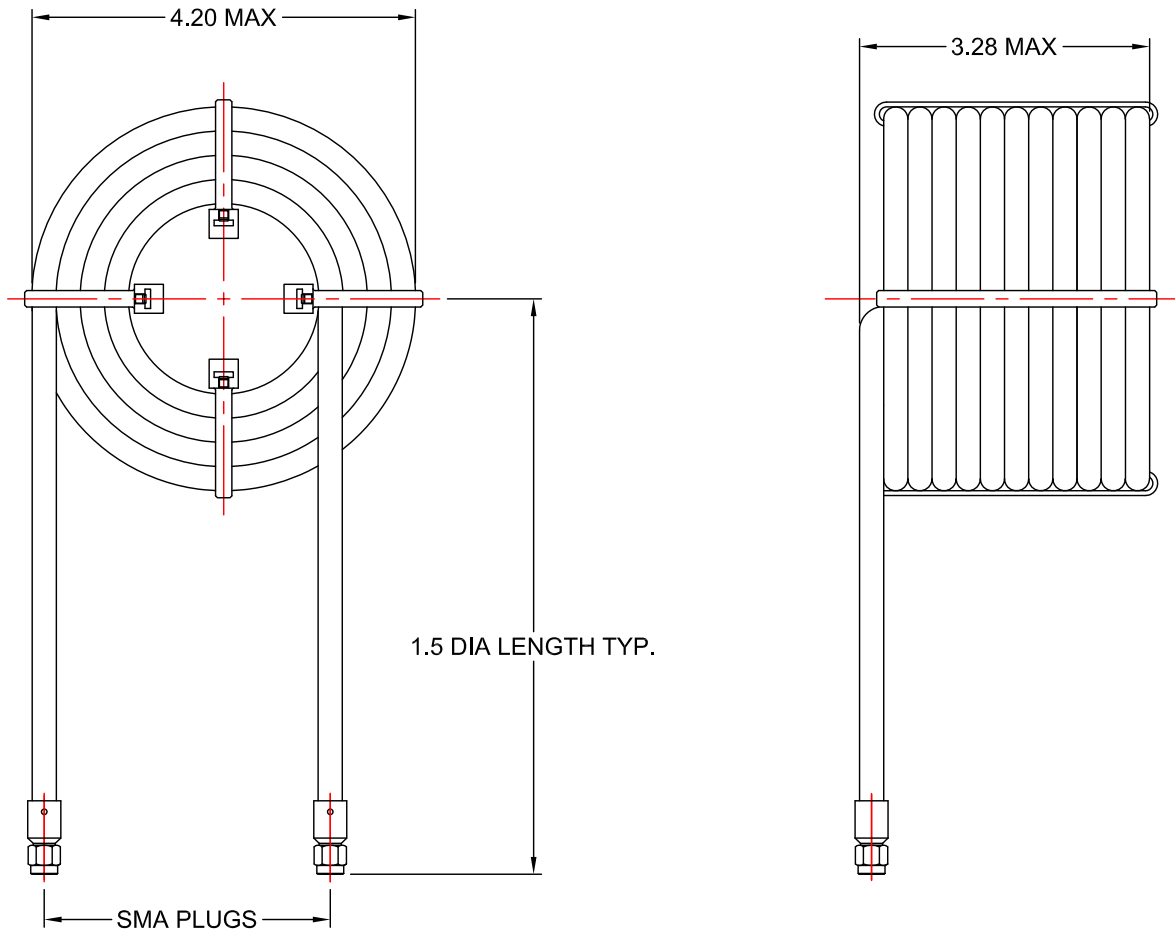
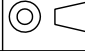


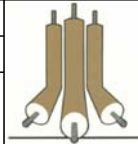
NOTES;
 ELECTRICAL CHARACTERISTICS:
 1. IMPEDANCE: 50 Ohms.
 2. DELAY: 50Ns +/- 1.0 Ns



PROPRIETARY NOTICE
 THIS DRAWING AND DESIGNS AND IDEAS EMBEDDED IN THE DEVICE TO WHICH IT RELATES AND THE METHOD OF PRODUCING THE DEVICE SHALL NOT BE EMPLOYED COPIED OR DISCLOSED TO ANYONE IN ANY MANNER WITHOUT THE WRITTEN CONSENT OF AN EZ FORM COMPANY OFFICIAL

APPD.	T.D.	
DATE	09/14/17	
BY	J.N.	
DATE	09/14/17	
DESCRIPTION	INITIAL RELEASE	
REV.	-	

UNLESS OTHERWISE SPECIFIED:			
DIMENSIONS ARE IN INCHES:		SCALE	
TOLERANCES: NONE		1:2	
MATERIAL:			
EZ-250/M17			
FINISH: SEE NOTES			
DRAWN	DATE	CHECKED	DATE
J.N.	09/14/17	T.D.	09/14/17
APPROVED	DATE	SHEET 1 OF 1	
A.T.	09/14/17		



EZ Form Cable Corporation
 285 Welton Street
 Hamden, CT 06517
 WWW.ezform.com

TITLE			
50ns DELAY LINE			
A	CODE IDENT.	EZ250DL50	REV.
	9W826		-